

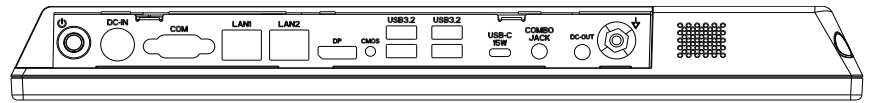
CyberMed G15

15.6" Fanless Medical Computer



Main Features

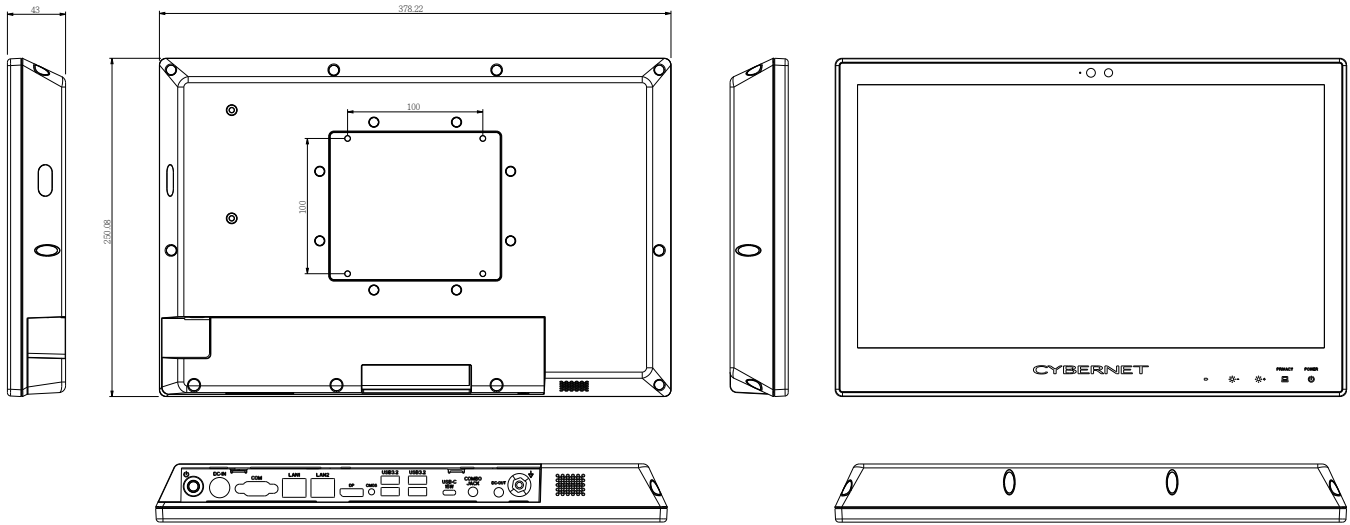
- 15.6" LCD Panel
- PCAP Multi-Touch Display
- IP65 Rated
- Global IEC60601-1 Certified
- Fanless Design
- Antimicrobial* Housing



Technical Specifications

Display	15.6" Medical Grade FHD LED Panel 1920x1080, 350 Nits (Optional 500 Nits)
CPU Support	11th Generation Intel Core i3/i5/i7 Processors with vPro Technology
Memory	2x DDR4 SO-DIMM Sockets, Populated up to 64GB
Operating System	Windows 11, Windows 10, Windows IoT, Linux
Video & Graphics	Intel Iris Xe Graphics
Touch Screen	PCAP Multi-Touch with Optional Antiglare Technology
Networking	2x 2.5 Gigabit (Gbe) LAN
Wireless	Intel Tri-Band WiFi 6E 802.11ax, 802.11 a/b/g/n/ac, + Bluetooth 5.2
Expansion Slots	1x mPCIe Full-size slot 1x M.2 E Key Short Slot for PCIe or USB Interface
HDD Support	1x 6Gbps Serial ATA III Port 1x M.2 M Key for NVMe SSD
TPM	Version 2.0 Standard. Optional: Version 1.2
Colors	White with Antimicrobial* Protection
Power Supply	Medical Grade Power Supply with Universal input: 100~240V AC, 50-60Hz Output: 19V 12V/24V Support with Optional DC Converter
Relative Humidity	10%~90% (non-condensing)
IP Rating	IP65 Sealed Front Bezel and IPX1 Back Cover
Pressure	700 to 1060hPa (0~3000 meters)
DC Power Out	Optional: Power Module with 26 Watts of Power Available for External Devices

*Antimicrobial technology protects the housing of the computer & tablet. Cybernet makes no direct or implied claims to protecting users or providing other health benefits.



Mechanical & Environmental

Dimensions	14.85" x 9.85" x 1.69" (L,W,D)
Weight	6.6 lbs without base stand
Wall Mount	Supports 100mm VESA mounting holes
Environment	Ambient Temperature: 0°C~35°C (operating)
Certifications	UL60601-1, cUL60601-1, IEC60601-1, IEC60601-1-2 4th Edition, EN60601-1, IEC62368-1 electrical safety, FCC class B, CE, Energy Star, RoHS, WEEE, REACH

Input/Output

I/O Ports	4x USB 3.2 Gen1 1x USB-C (10Gbps) Supports 15W Power Delivery, 5V/3A 1x RS232/422/485 1x Display Port
Audio	Realtek High Definition Audio. One built-in 3.0 watt speaker. One combination jack for Audio Line Out and Microphone.

Optional Features

- 2 MP IR Webcam, supports Windows Hello
- DC Power Output for Peripherals
- HIPAA Compliant Privacy Filter
- Internal UPS Battery
- Up to 5x COM (RS232) Ports on Back Cover
- Antimicrobial* Base Stand
- Smart Card Reader
- Integrated Imprivata SSO
- Certified RFID Reader
- Extended Warranties



*Antimicrobial technology protects the housing of the computer & tablet. Cybernet makes no direct or implied claims to protecting users or providing other health benefits.

CYBERNET

Find out more at www.cybernet.us
Global Operations: USA · UK · Taiwan · China · Australia
Email: sales@cybernet.us

Ready for your CyberMed G15?

Get Quote